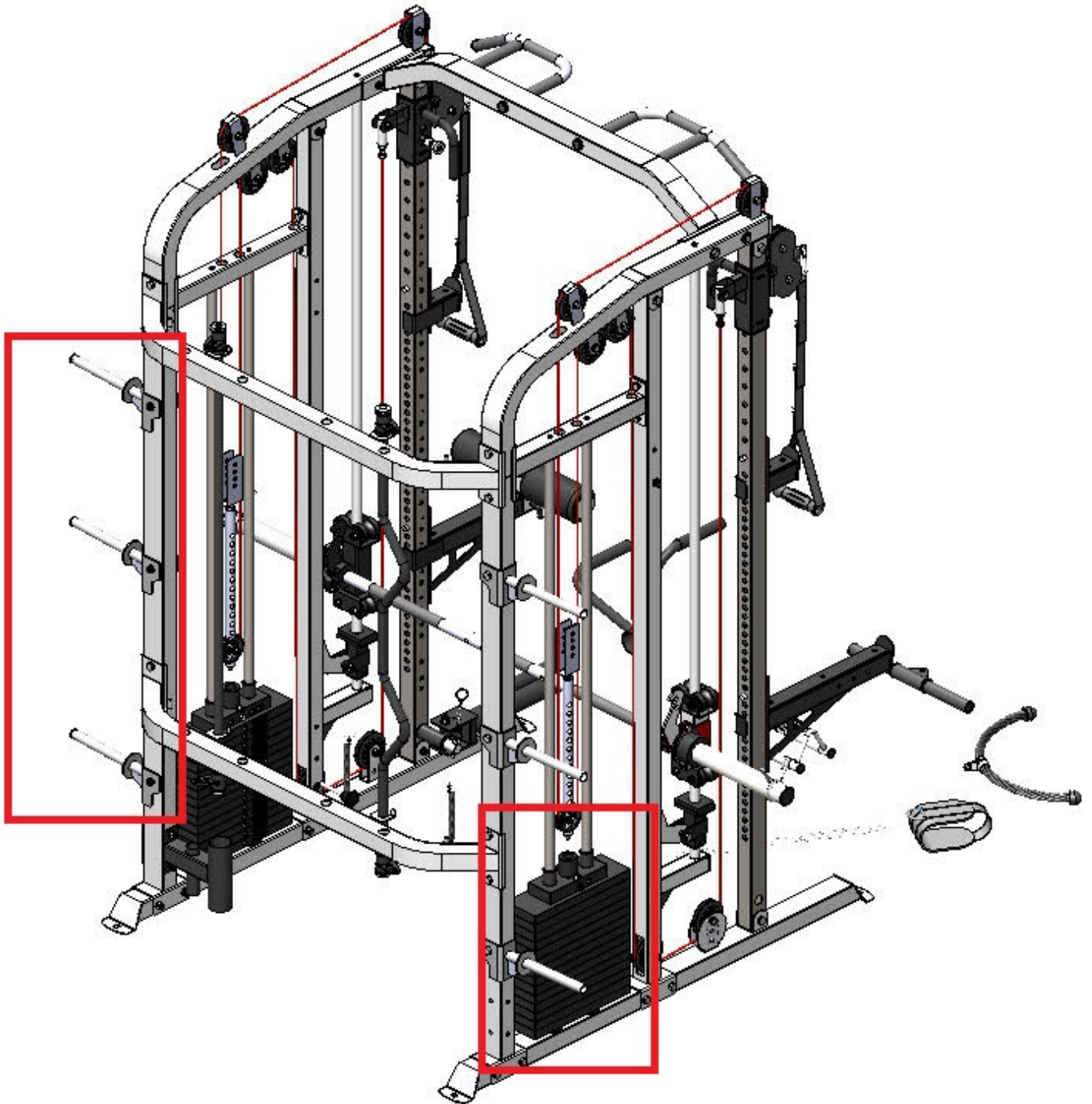




# 2 X 90KG WEIGHT STACK CONVERSATION KIT FOR VIGOR G8

SKU: VS-G8-WS





PRODUCT  
DESCRIPTION



ADDITIONAL  
INFORMATION

